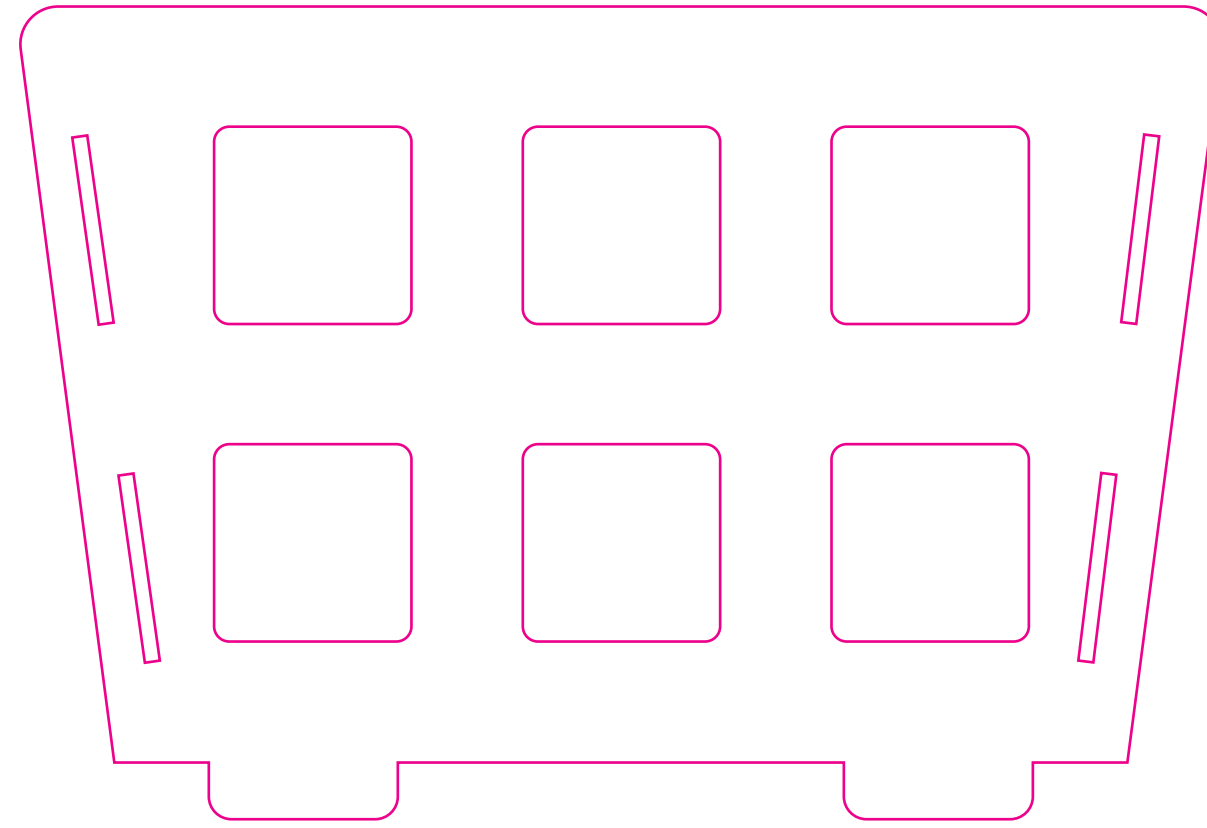
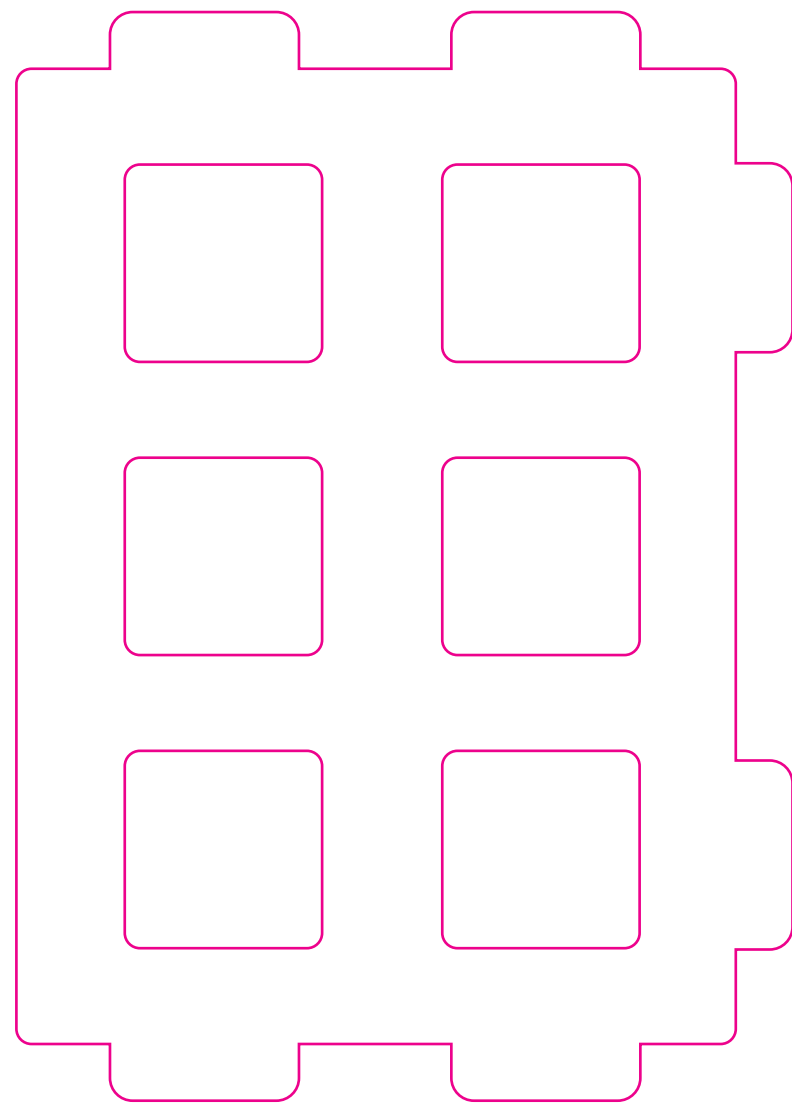


COMPONENTS AND DIMENSIONS

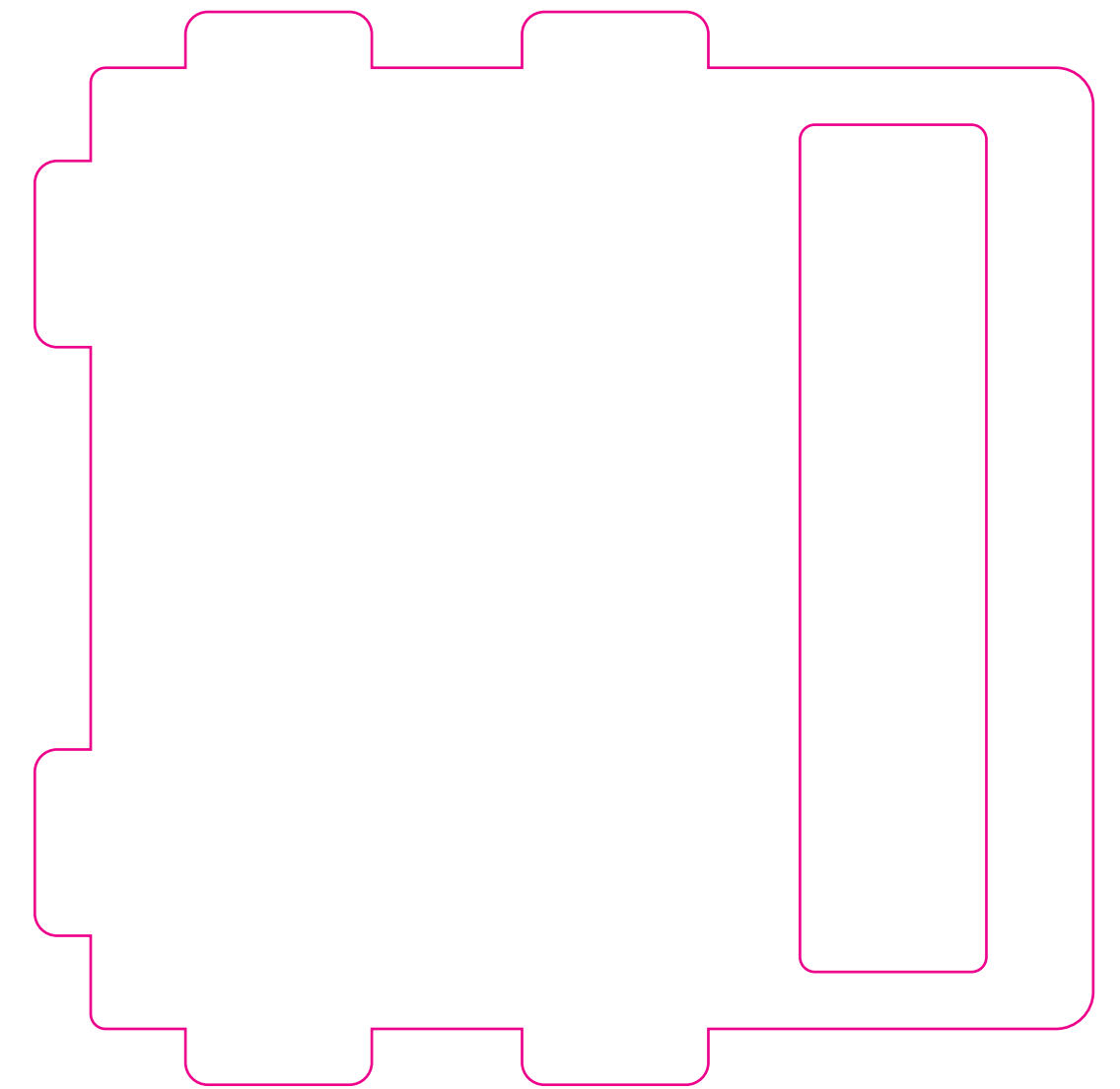
159 x 107mm



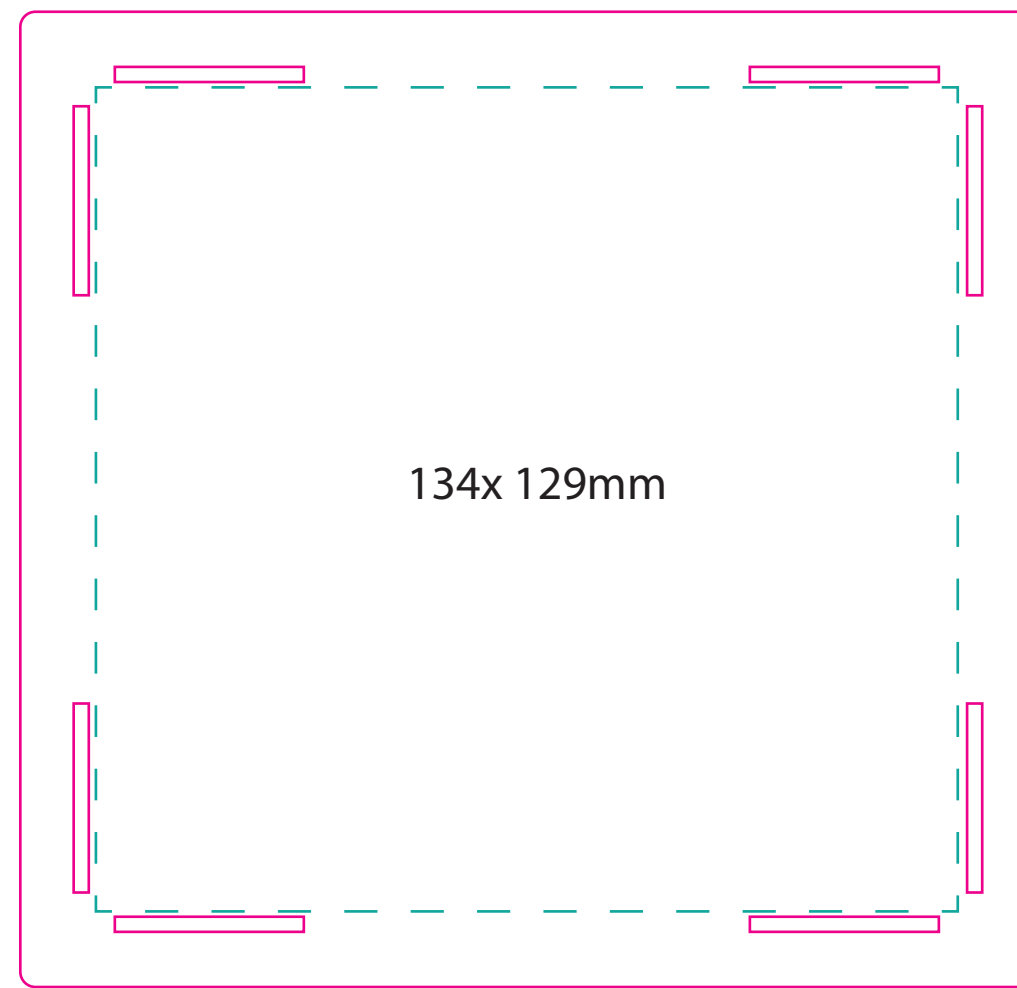
103 x 144mm



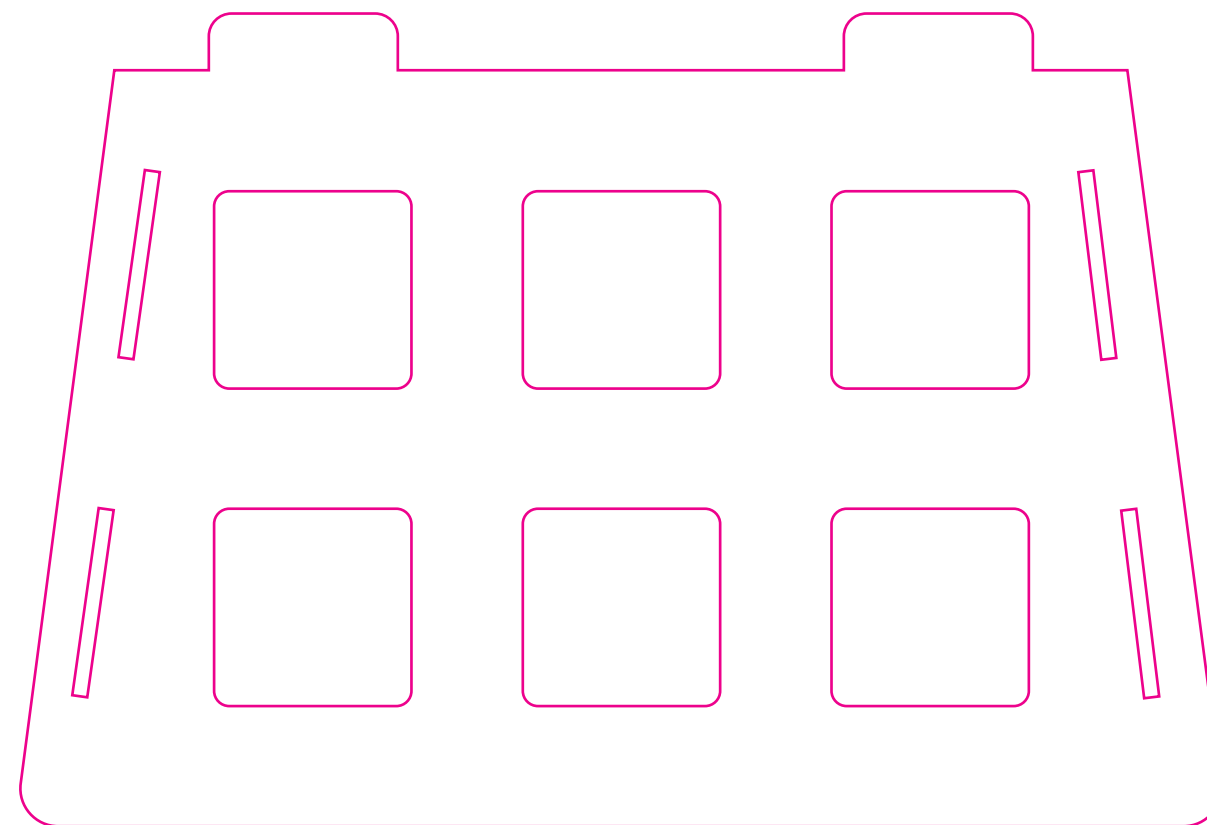
142 x 144mm



134 x 129mm



159 x 107mm



CAD CUT SHEET – SIZE A3

